

590T Series – Electronic Faucet

With Surface Mount Control Box

TECK[®]
COMMERCIAL



Specification: (example)

- Supplied as complete product
 - **H₂Optics[®]** technology – no external adjustments required
 - Chrome plated one piece **CAST** Hi-Rise spout with integral sensor
 - **Battery** (4 "C" cell) or **Hardwire** (24 VAC) infrared electronic handwash system
 - Adjustable sensing range and timeout
 - Forged brass solenoid valve
 - Surface mount housing
 - Mixing valve required (order separately)
 - Serviceable filter screen upstream of the valve
- and... with... (specify battery or hardwire)
 with... (add outlet required)
 with... (4" or 8" coverplates – specify separately – see next page)
 with... (for hardwire with battery backup – specify separately – see next page)
 with... (transformer required for hardwire models – specify separately – see next page)

590T0120



Engineer/Architect Approval


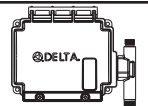





Model Specified:

Approval:

Date:

DESCRIPTION	PRODUCT NO.		
Hardwire	590T0	1	0
Battery Operated	590T1	1	0



SPOUT & SENSOR	OUTLET	CONTROL BOX
0 <input type="checkbox"/> 	0 <input type="checkbox"/>	0 Surface Mount Housing* SEE Specification Drawing #13 <input checked="" type="checkbox"/> 
1 Single Hole Deckmount Hi-Rise Spout with Integral Sensor <input checked="" type="checkbox"/>	1 <input type="checkbox"/>	1 <input type="checkbox"/>
2 <input type="checkbox"/>	2 Vandal Resistant 1.5 gpm (5.7 L/min.) Laminar w/Agion [®] Antimicrobial <input type="checkbox"/> 	2 <input type="checkbox"/>
3 <input type="checkbox"/>	3 Vandal Resistant 1.5 gpm (5.7 L/min.) Flow Control Aerator <input type="checkbox"/> 	3 <input type="checkbox"/>
4 <input type="checkbox"/>	4 <input type="checkbox"/>	4 <input type="checkbox"/>
5 <input type="checkbox"/>	5 Vandal Resistant 0.5 gpm (1.9 L/min.) Laminar Outlet <input type="checkbox"/> 	5 <input type="checkbox"/>
6 <input type="checkbox"/>	6 Vandal Resistant 1.0 gpm (3.8 L/min.) Laminar Outlet <input type="checkbox"/> 	6 <input type="checkbox"/>
7 <input type="checkbox"/>	7 <input type="checkbox"/>	7 <input type="checkbox"/>
8 <input type="checkbox"/>	8 <input type="checkbox"/>	8 <input type="checkbox"/>
9 <input type="checkbox"/>	9 Vandal Resistant 0.35 gpm (1.32 L/min.) Non-Aerating Spray Outlet <input type="checkbox"/> 	9 <input type="checkbox"/>

*Mixing valve (order separately). Refer to www.specselect.com for individual models.

Note: Use this page front and back, with specification drawing page referenced above, as product submittal sheets. Flow Rates are at 60 PSI.

Delta reserves the right (1) to make changes in specifications and materials, and (2) to change or discontinue models, both without notice or obligation. Dimensions are for reference only. See current full-line price book or www.specselect.com for finish options and product availability.

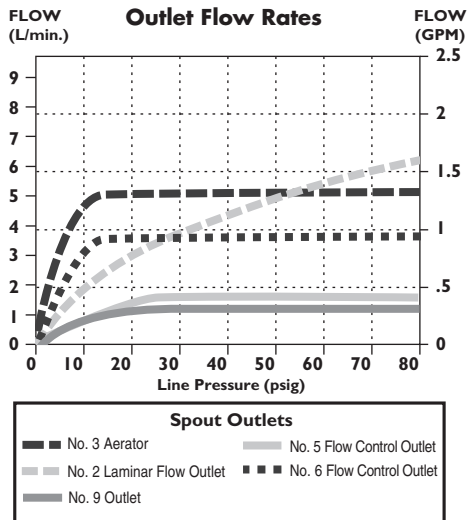
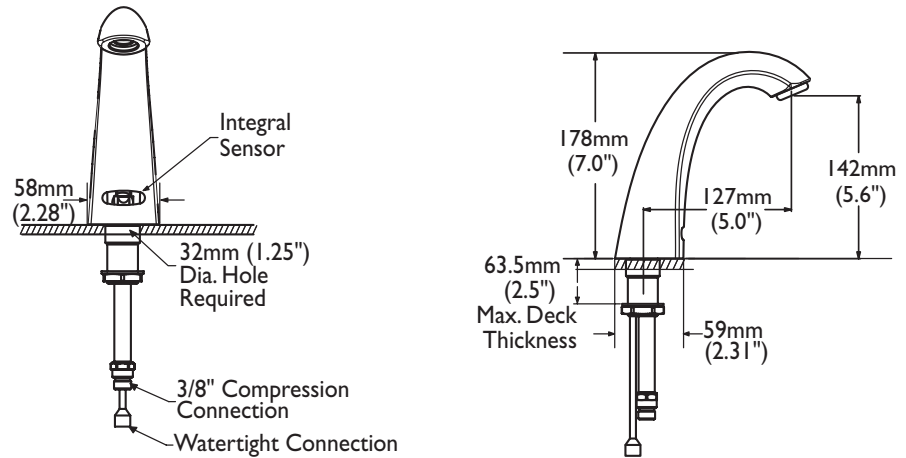
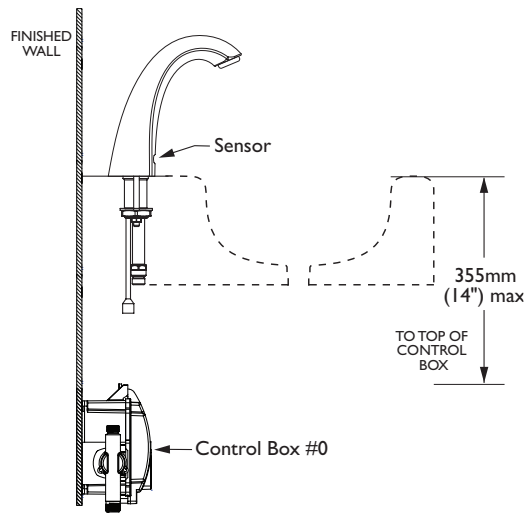
DSP-590TCB0 Rev. C

Approvals:

- CSA certified
- Complies to ASME A112.18.1/CSA B125.1
- Indicates compliance to ICC/ANSI A117.1
- Outlet options 2, 3 and 6 are EPA WaterSense listed
- Verified compliant with 0.25% weighted average Pb content regulations

(Contact Delta Representative for State and/or Local Approvals.)

Patented

FLOW RATE vs PRESSURE

590T SERIES

TYPICAL INSTALLATION

Available Options for Field Conversion

- 061047A**
Hardwire with Battery Backup
See DSP-BB for detailed specification.
- 060651A**
3 Position Switch
See DSP-ELACC for detailed specification.

Note: Measurements may vary $\pm 6\text{mm}$ (0.25")

590T Series – Electronic Faucet With Surface Mount Control Box

TECK[®]
COMMERCIAL

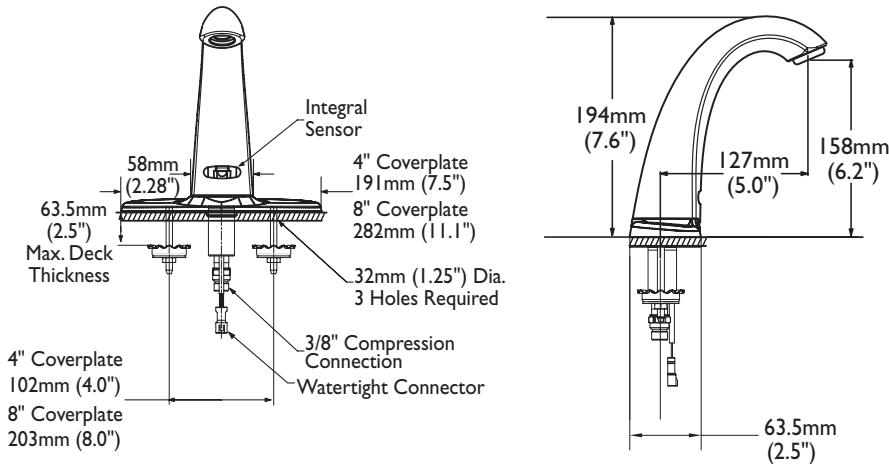


590T SERIES 4" AND 8" COVERPLATE (ORDER SEPARATELY)



OPTIONAL COVERPLATES	
PRODUCT NO.	DESCRIPTION
060546A	4" Coverplate
060547A	8" Coverplate

Available Optional Coverplates for field conversion.
Includes anti-rotation pin for secure public lavatory installation.



OPERATION:

- Hands free (touchless) operation.
- Water flows when sensor is activated.
- Water flow stops upon de-activation of sensor.
- Adjustable auto shut-off feature. Factory set to 45 seconds. Will reset once obstruction is removed.
- Adjustable sensing distance 76 to 381 mm (3" to 15") factory set to 229 mm (9") (± 3.0")
- Low battery audible beep (for battery models only) will activate after faucet shuts off when approximately 1500 cycles remain.
- Metering mode with selectable flow times of 7 seconds to 4 minutes, factory set off.
- Periodic Rinse feature, time adjustable in 6 hour increments up to 2 days. Selectable rinsing lengths from 10 to 180 seconds. Factory set off.

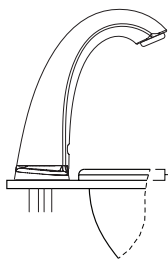
NOTE 1: For optimum performance of this product, we recommend a system pressure between 20 and 80 PSI static. This product will operate up to a maximum of 125 PSI static per ANSI and CSA requirements. However, we do not recommend pressures above 80 PSI. Thermal expansion or leaking pressure reducing valves may require use of expansion tanks or relief valves to ensure your system never exceeds its maximum intended pressure setting.

NOTE 2: Designed for routine 171°F (77°C) disinfection cycles up to 30 minutes.

SENSOR CLEARANCE

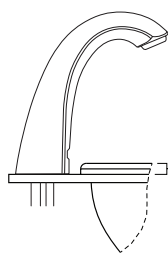
For above deck mounted sinks, the sensor requires a clearance.

With Cover Plate



For sensor clearance:
25 mm (1.0") maximum sink lip height from deck

No Cover Plate



For sensor clearance:
10 mm (0.40") maximum sink lip height from deck

OPTIONAL ACCESSORIES

✓	TRANSFORMERS		
	060704A	110 to 24VAC Class II 20VA	(Up to 5 Electronic Valves)
	060771A	110 to 24VAC Class II 40VA	(Up to 10 Electronic Valves)
✓	CORDS		
	061256A	36" Cable Extension	

Note: Measurements may vary ± 6mm (0.25")

Refer to www.specselect.com for individual models.
Product supplied as shown by solid lines. All items shown by dotted lines supplied by others.

Delta reserves the right (1) to make changes in specifications and materials, and (2) to change or discontinue models, both without notice or obligation. Dimensions are for reference only. See current full-line price book or www.specselect.com for finish options and product availability.

DSP-590TCB0 Rev. C

SURFACE MOUNT CONTROL BOX #0
590T SERIES

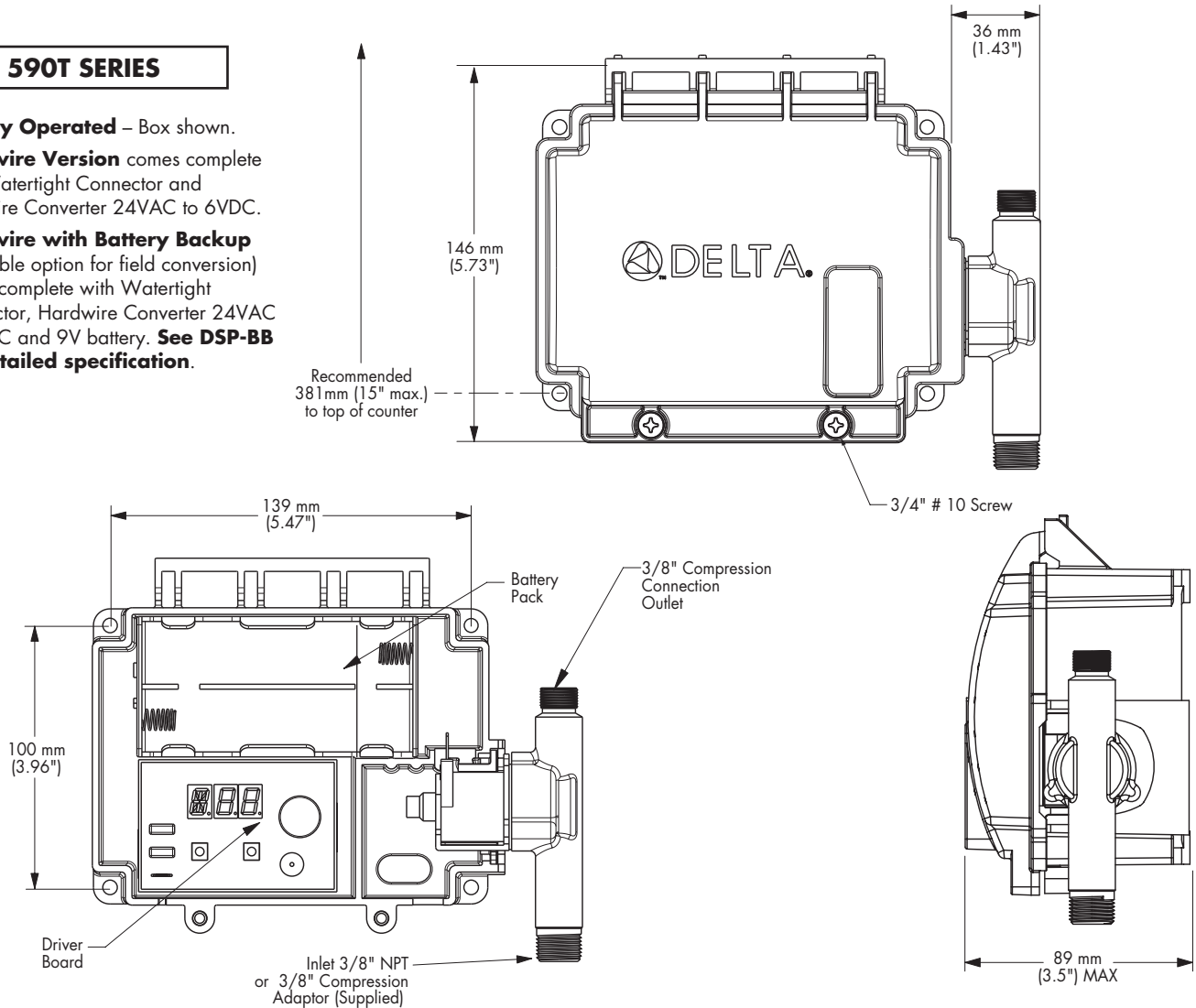
✓	PRODUCT NO.				VALVE TYPE	COVER
	590T	0	1	0	Deckmount Handwash Hardwire	Surface Mounted, Vandal Proof Control Housing
	590T	1	1	0	Deckmount Handwash Battery	Surface Mounted, Vandal Proof Control Housing

VANDAL PROOF SURFACE MOUNT CONTROL HOUSING
590T SERIES

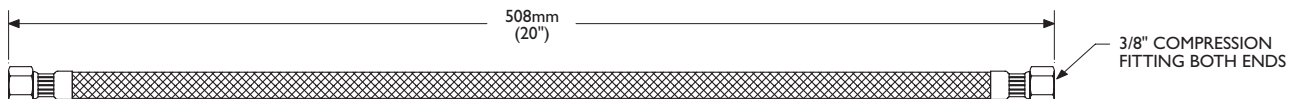
Battery Operated – Box shown.

Hardwire Version comes complete with Watertight Connector and Hardwire Converter 24VAC to 6VDC.

Hardwire with Battery Backup (Available option for field conversion) comes complete with Watertight Connector, Hardwire Converter 24VAC to 6VDC and 9V battery. **See DSP-BB for detailed specification.**


BRAIDED HOSE

Note: Hose connections supplied between Solenoid Valve and Spout



Note: Measurements may vary ± 6mm (0.25")